

## OPERATING INSTRUCTIONS BlueCloo

Thank you for purchasing our product! Our BlueCloo module makes you forget about the (bacteriological) contamination of your drinking water. BlueCloo keeps your water, in an energy efficient manner, clean and safe. In addition, your water stays oxygenated.

### Specifications

- max 5 liter per minute flow
- max 3 bar pressure on the BlueCloo unit
- drinking water purpose

### Connection and installation

The BlueCloo unit operates on an input voltage of **DC 12-30Volt** and uses up to **500mA**. This is to be connected to the current available network or via an external power supply. A 220V adapter can be provided on request. With the included sensor, BlueCloo shuts on and off whenever there is water flow. This way BlueCloo only consumes electrical energy when it's active.

For a schematic overview on assembly, please see the image below. The assembly is simple. Just slide the tube into the coupler until it stops and then just pull back a little. The coupling closes watertight this way.

*Note the marking on the flowswitch*

Make sure the flow switch is installed in the proper direction. The mark on the flow switch shows the flow of the water.

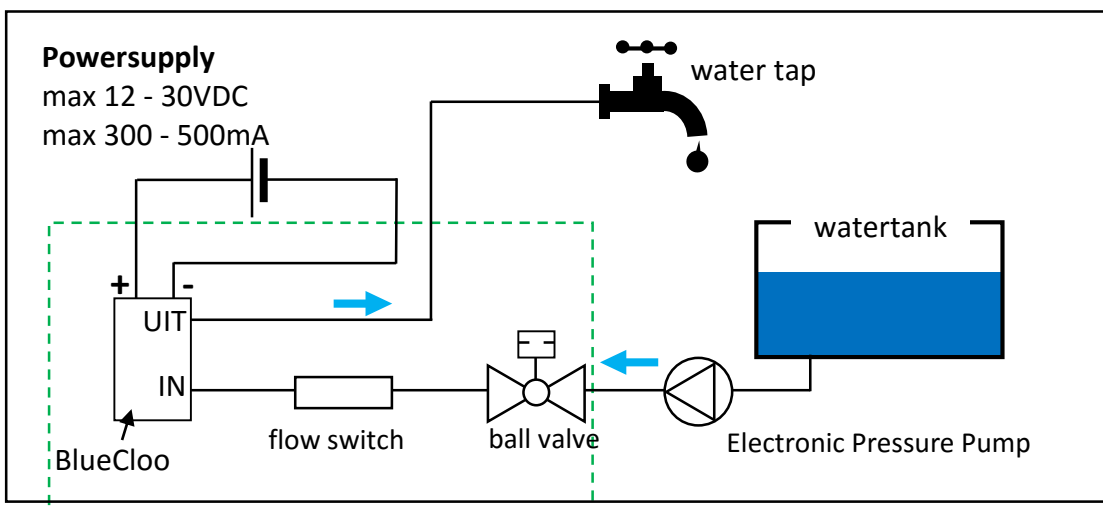


### Maintenance

For optimum performance it is recommended to treat the BlueCloo once in six months with vinegar. This ensures that the BlueCloo module is cleaned thoroughly and also the build-up of potential lime disappears. For ordering a maintenance kit please see the contact page.

### Example setup

Below is an example a setup. This may vary by situation.



### Contact info

Bright Spark BV  
Nipkowweg 15  
8501 XH Joure  
Tel: +31 (0)513 - 419 119  
Fax: +31 (0)513 - 419 332  
Mail: [mail@bluecloo.com](mailto:mail@bluecloo.com)  
Website: [www.bluecloo.com](http://www.bluecloo.com)